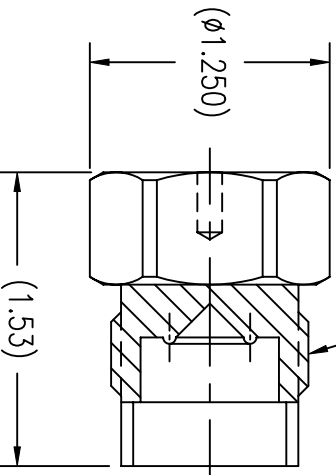
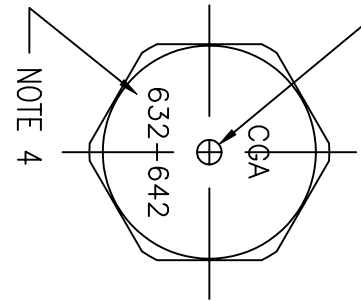
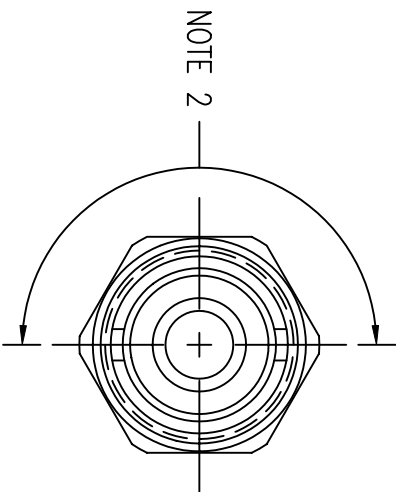


HOLE FOR #6
DRIVE SCREW



1.030-14NGO-RH-EXT THREAD
AND CGA 632-642 VALVE OUTLET AS
PER CGA V-1



UNCONTROLLED
For Reference Only
MB 8/1/2011

- NOTES:
1. DIMENSIONS ARE IN INCHES.
 2. NO ANGULAR ORIENTATION OF KEYWAYS TO HEX EXISTS ON THIS PART.
 3. ELECTROPOLISHED.
 4. MARKED AS SHOWN, .100 HIGH: "CGA", "632-642".
 5. ULTRASONICALLY D.I. CLEANED AND PACKAGED.

THIS DOCUMENT CONTAINS INFORMATION THAT IS THE PROPRIETARY AND CONFIDENTIAL PROPERTY OF GASFLO PRODUCTS INC. AND MAY BE USED ONLY FOR AUTHORIZED PURPOSES. THIS DOCUMENT MAY NOT BE REPRODUCED WITHOUT GASFLO PRODUCTS INC. PRIOR WRITTEN CONSENT.

MAT'L:	1 1/8" HEX 316L SST		
DWN:	MB	SCALE:	NTS
SHEET:	1 of 1	DATE:	8/1/11

GasFlo Products Inc.
Fairfield, N.J.

SALES DWG. - VALVE OUTLET ADAPTER
CGA 632-642 x BLANK

DWG: SALES-AD-63SS-BL